

NewPassleader

NewPassLeader

HOME

ALL VENDORS

★ GUARANTEE

? FAQ

TESTIMONIALS

CART (0)



Select a vendor...

Select an test...

Your email address

Free Download Demo

Try **PDF Demo** before you buy

Online Test Engine: Online Tool, Convenient, easy to study. Instant Online Access. Supports All Web Browsers.

PDF format: Easy to read and print learning materials, our products are available in PDF file format.

Desktop Test Engine: Installable Software Application. Simulates Real Exam Environment. Practice Offline Anytime.

What Client's Say

“ I purchased the exam questions which were not up to par so that I failed once. Now the second time, I make the right choice to purchase newpassleader 120-968 files, I pass. Thanks very much. I will buy more ”



Gloria
★★★★★

“ The 400-151 Dumps are very helpful, I attend the exam and passed in my first shot. ”



Juliet
★★★★★

<http://www.newpassleader.com/>

Attentive Service Exam Torrent and Valid Dumps - NewPassLeader

Exam : **4A0-114**

Title : Nokia Border Gateway
Protocol Fundamentals for
Services

Vendor : Nokia

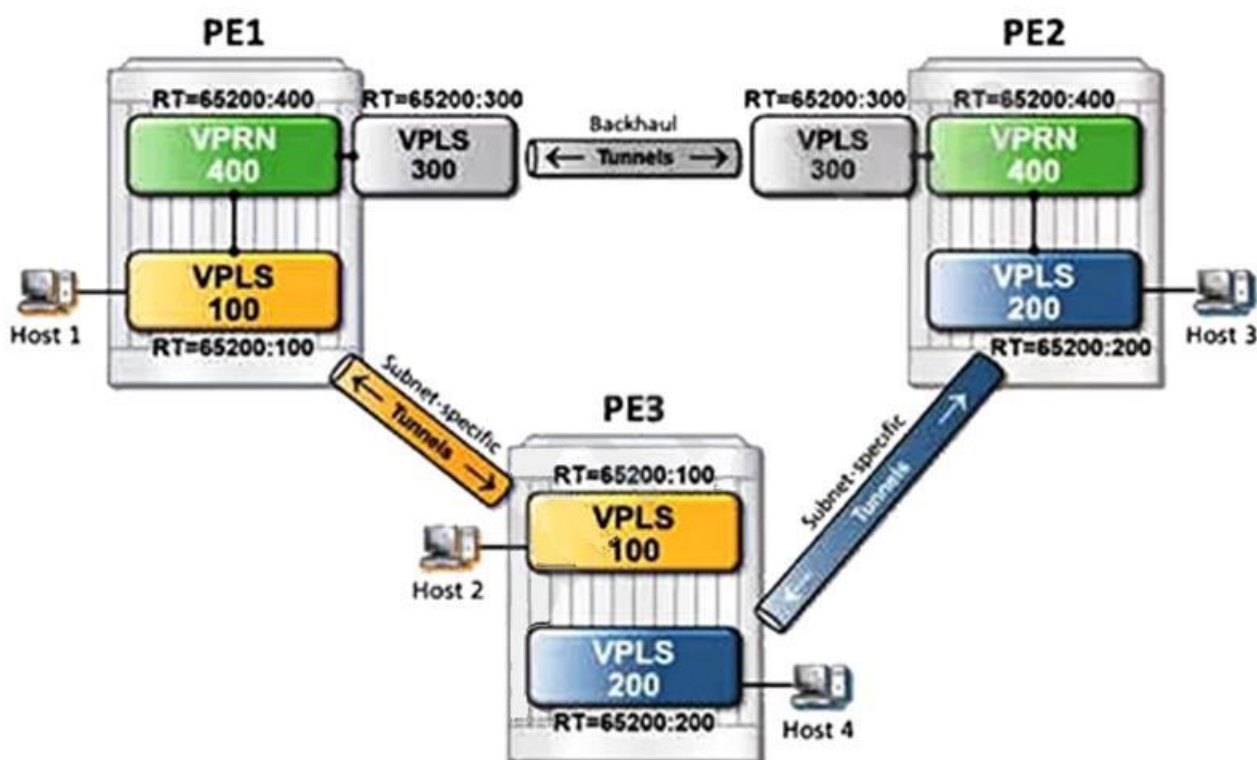
Version : DEMO

NO.1 Which of the following statements about EVPN services is FALSE?

- A. EVPN services support signaling for the use of MPLS and VXLAN tunnels.
- B. A local layer-2 EVPN service is referred to as a backhaul VPLS.
- C. The same BGP address family can be used to populate the forwarding database of an EVPN VPLS and the route table of an EVPN VPRN.
- D. The goal of an EVPN service is to provide layer-2 or layer-3 connectivity among two or more customer sites.

Answer: A

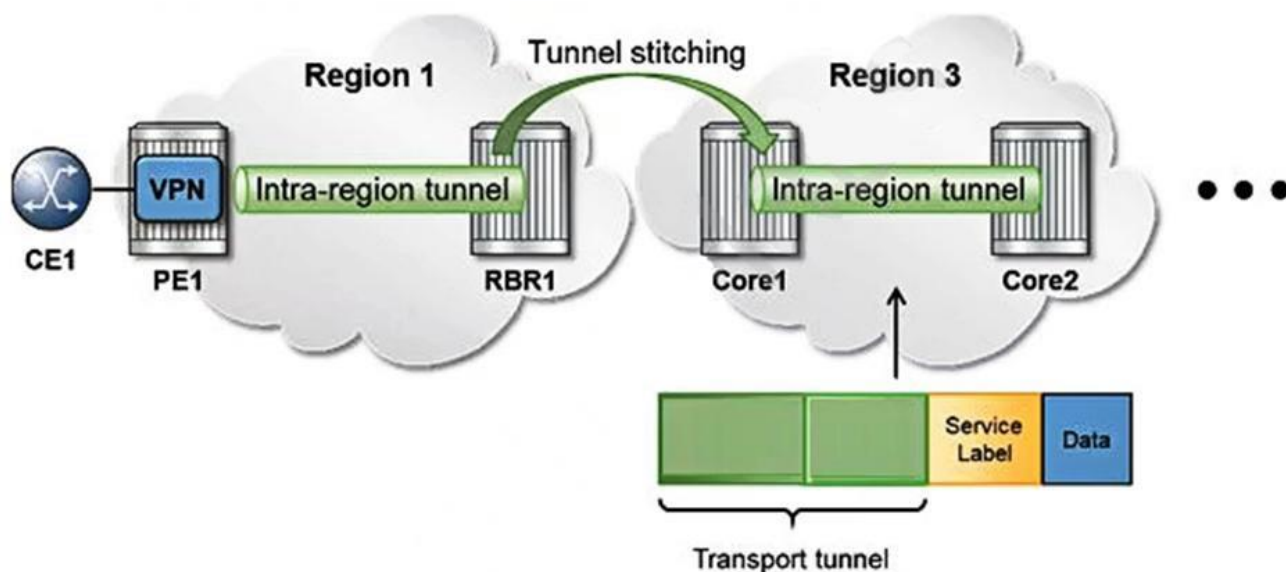
NO.2 The diagram shows EVPN services and their associated route-target (RT) values. For the distributed VPRN service in the diagram, what will be the route-target value included in the EVPN routes exchanged between routers PE1 and PE2 to populate the VPRN's route table?



- A. 65200:300
- B. 65200:100
- C. 65200:400
- D. 65200:200

Answer: D

NO.3 In the diagram below, a data packet is sent from CE1 to a far-end CE2 over a VPRN service across multiple regions. Which of the following statements about the tunnel labels is FALSE?



- A. The outer label is an RSVP, LDP, or segment routing label pushed by router Core1.
- B. The second label is a BGP label pushed by router RBR1.
- C. The service label is a label pushed by router PE1.
- D. The outer label will be popped by router Core2.

Answer: A

NO.4 A traditional (non EVPN) VPRN service is configured using MP-BGP and LDP transport tunnels. Which of the following statements about the VPN service label is TRUE?

- A. The service label is carried in an MP-BGP VPN-IPv4 route update.
- B. The service label is prepended to the customer IPv4 prefixes.
- C. The service label is advertised using LDP.
- D. The service label must be manually configured for the VPRN on each PE router.

Answer: A